

# Conventional Alarm Bell

● Model: JL188-6, JL188-8, JL188-10

Compatible with all conventional Fire alarm control panel

High Sound Level

Up to 95dB alarm sound

Easy Installtion Bracket



## General Description

The JL188 Electric bell of notification appliances offers a wide range of Sound, for wall and ceiling applications, indoors and outdoors. They are designed to be used in 24 volt DC systems.

## Features and Benefits

- Compatible with all the conventional fire alarm control panel
- High sound level up to 95dB
- Easy installation baracket included
- Steel material



# Conventional Alarm Bell

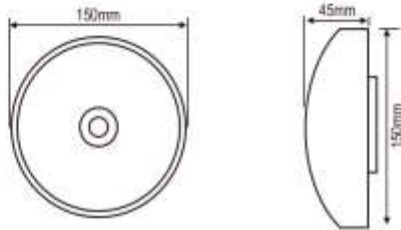
## Installation Guidelines

All wiring must be installed in compliance with the National Electrical Code, applicable state and local codes, and any special requirements of the local Authority Having Jurisdiction.

## Technical Specifications

Dimensions: Diameter 150mm, Height 45mm(JL188-6)  
Weight: Net Weight 580g, Gross Weight 650g(JL188-6)  
Operating Temperature Range: -10°C to 50°C  
Operating Humidity Range: 10% to 93% Relative Humidity, Noncondensing

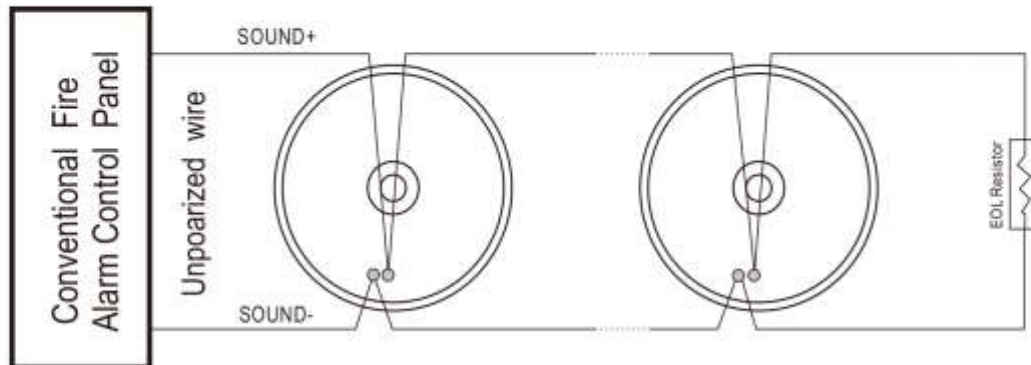
Figure 1. Dimension of Alarm Bell(JL188-6: 6 inch):



## Electrical Ratings

System Voltage (nominal): 24 VDC (16V- 30VDC)  
Alarm Current: 70 mA @ 24 VDC  
Alarm Sound Intensity: Minimum 95dB

Figure 3. Wiring diagram for the detector:



## Ordering Information

Part Number	Pack Quantity	Dimensions (w x d x h millimetres)	Weight
JL188-6	Individual (1 units)	150x150x45	580g
JL188-8	Individual (1 units)	200x200x65	1280g
JL188-10	Individual (1 units)	250x250x65	1980g

**Distributed by:**

