

NEW



# LED EXIT LIGHT BOX XBE Series

## Specification

Mode of operation	Maintained
Input voltage	85 - 245 Vac / 50 Hz
Lamps	Mid-power / high-lumen LEDs - brightness complying with EIT 2004-54
Color temperature	6500 K
Signage	Light-diffusing polycarbonate - UV resistant, heat resistant, and fire retardant
Battery	Nickel metal hydride (NiMH) 3 x 1.2 V 2100 mAh
Backup time	3 hrs
Battery charging method	Automatic solid-state system with constant voltage and current limit
Battery cut-off voltage	1.0 V / cell
Maximum charging current	230 mA
Charging time	10 - 15 hrs
Manual test	For XBE-N series: performed by pushing Test button For XBE-R series: either pushing Test button or using remote control
Remote*	Remote control for manual test (for XBE-R series only)
Standards	TIS 1955-2551, ISO 9001
Casing	Steel sheet coated with powder paint

*\*Remote control not included in the package*  
*\*รีโมทคอนโทรลเป็นอุปกรณ์เสริมซึ่งจะจำหน่ายแยกกับผลิตภัณฑ์*

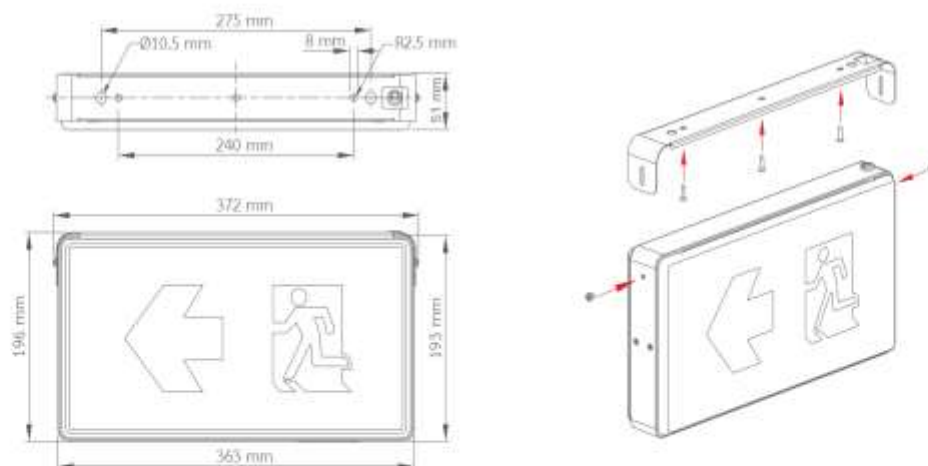
## XBE-N SERIES

Model	Symbol height	Lamp rated power	Installation	Signage	Remote support	Dimmable
<b>NEW</b> XBE-10N-1A	10 cm	10 LEDs x 0.6 W	Ceiling mounted	Single sided	No	No
<b>NEW</b> XBE-10N-2A	10 cm	10 LEDs x 0.6 W	Ceiling mounted	Double sided	No	No
<b>NEW</b> XBE-10N-1B	10 cm	10 LEDs x 0.6 W	Wall mounted	Single sided	No	No
<b>NEW</b> XBE-10N-1C	10 cm	10 LEDs x 0.6 W	Ceiling hung	Single sided	No	No
<b>NEW</b> XBE-10N-2C	10 cm	10 LEDs x 0.6 W	Ceiling hung	Double sided	No	No

## XBE-R SERIES

Model	Symbol height	Lamp rated power	Installation	Signage	Remote support	Dimmable
<b>NEW</b> XBE-10R-1A	10 cm	10 LEDs x 0.6 W	Ceiling mounted	Single sided	Yes	Yes
<b>NEW</b> XBE-10R-2A	10 cm	10 LEDs x 0.6 W	Ceiling mounted	Double sided	Yes	Yes
<b>NEW</b> XBE-10R-1B	10 cm	10 LEDs x 0.6 W	Wall mounted	Single sided	Yes	Yes
<b>NEW</b> XBE-10R-1C	10 cm	10 LEDs x 0.6 W	Ceiling hung	Single sided	Yes	Yes
<b>NEW</b> XBE-10R-2C	10 cm	10 LEDs x 0.6 W	Ceiling hung	Double sided	Yes	Yes

## DIMENSIONS



XBE-10N-1A / XBE-10R-1A

EXIT SIGN PATTERNS COMPLYING WITH EIT 2004-54

รูปแบบป้ายไฟทางออกฉุกเฉินตามมาตรฐาน วสท. 2004-54



E031-01



E041-01



E021-01



E011-01

รูปแบบป้ายไฟทางออกฉุกเฉินทั่วไป



E200-01



E300-01



F310-01



E301-01



F300-01



E330-01



F320-01



E331-01



E301-05



E340-01



F331-03



E341-01



F031-01



E350-01



F341-03



E320-01



F041-01



F321-03



F301-03



E320-04



F011-01



E301-10



F031-02



F100-01



F021-01



F200-01



F041-02



E100-02