



www.firelite.com

July 14, 2004

DF-52004 F-050

BG-12 Series Manual Fire Alarm Pull Stations

Section: Conventional Initiating Devices

GENERAL

The **Fire•Lite Alarms BG-12 Series** is a cost-effective, feature-packed, non-coded series of manual fire alarm pull stations. It was designed to meet multiple applications with the installer and end-user in mind. The BG-12 Series features a variety of models including single- and dual-action versions.

The BG-12 Series provides Fire•Lite Fire Alarm Control Panels (FACPs), as well as other manufacturers' controls, with a manual alarm initiating input signal. Its innovative design, durable construction, and multiple mounting options make the BG-12 Series simple to install, maintain, and operate.

FEATURES

- Aesthetically pleasing, highly visible design/color.
- Attractive contoured shape with light textured finish.
- Meets **ADA** 5 lb. maximum pull-force.
- Meets UL 38, Standard for Manually Actuated Signaling Boxes.
- Easily operated (single- or dual-action), yet designed to prevent false alarms when bumped, shaken, or jarred.
- PUSH IN/PULL DOWN handle latches in the down position to clearly indicate the station has been operated.
- The word "ACTIVATED" appears on the top of the handle in bright yellow, further indicating operation of the station.
- Operation handle features white arrows showing basic operation direction, for non-English-speaking persons.
- Braille text included in finger-hold area of operation handle and across top of handle.
- Multiple hex- and key-lock models available.
- U.S. patent-pending hex-lock needs only a quarter-turn to lock/unlock.
- Station can be opened for inspection and maintenance without initiating an alarm.
- Product ID label viewable by simply opening the cover; label is made of a durable long-life material.
- The words "NORMAL" and "ACTIVATED" are molded into the plastic adjacent to the alarm switch (located inside).
- Four-position terminal strip molded into backplate.
- Terminal strip includes Phillips combination-head captive 8/32 screws for easy connection to Initiating Device Circuit (IDC).
- Terminal screws backed-out at factory and shipped ready to accept field wiring (up to 12 AWG/3.25 mm²).



California
State Fire
Marshal
7150-0075:184



MEA
67-02-E



DF-52004p1.jpg

- Terminal numbers are molded into the backplate, eliminating the need for labels.
- Switch contacts are normally open.
- Can be surface (with SB-I/O or SB-10) or semi-flush mounted. Semi-flush mount to a standard single-gang, double-gang, or 4" (10.16 cm) square electrical box.
- Backplate is large enough to overlap a single-gang backbox cutout by up to 1/2" (12.7 mm).
- Optional trim ring (BG-TR).
- Spanish version (*FUEGO*) available (BG-12LSP).
- Designed to replace the Fire•Lite Legacy BG-10 Series.
- Models packaged in attractive, clear plastic (PVC), clamshell-style, Point-of-Purchase packages. Packaging includes a cutaway dust/paint cover in shape of pull station.

Fire•Lite® Alarms is a Honeywell company.

This document is not intended to be used for installation purposes. We try to keep our product information up-to-date and accurate. We cannot cover all specific applications or anticipate all requirements. All specifications are subject to change without notice.

For more information, contact Fire•Lite Alarms, One Fire-Lite Place, Northford, Connecticut 06472. Phone: (800) 627-3473, Toll-Free FAX: (877) 699-4105.

ISO 9001
CERTIFIED
ENGINEERING & MANUFACTURING
QUALITY SYSTEMS



CONSTRUCTION

- Cover, backplate and operation handle are all molded of durable polycarbonate material.
- Cover features white lettering and trim.
- Red color matches System Sensor's popular SpectrAlert™ horn/strobe series.

OPERATION

The BG-12 manual pull stations provide a textured finger-hold area that includes Braille text. In addition to PUSH IN and PULL DOWN text, there are arrows indicating how to operate the station, provided for non-English-speaking persons.

Pushing in and then pulling down on the handle activates the normally-open alarm switch. Once latched in the down position, the word "ACTIVATED" appears at the top in bright yellow, with a portion of the handle protruding at the bottom as a visible flag. Resetting the station is simple: insert the key or hex (model dependent), twist one quarter-turn, then open the station's front cover, causing the spring-loaded operation handle to return to its original position. The alarm switch can then be reset to its normal (non-alarm) position manually (by hand) or by closing the station's front cover, which automatically resets the switch.

SPECIFICATIONS

Physical Specifications:

	□□□□□□□□	□□-40	□□-10	□□-10	□□□
□□□□□□	5.5 □□□□□□ (13.97 □□)	5.601 □□□□□□ (14.23 □□)	5.5 □□□□□□ (13.97 □□)	6.0 □□□□□□ (15.24 □□)	4.25 □□□□□□ (10.79 □□)
□□□□□□	4.121 □□□□□□ (10.47 □□)	4.222 □□□□□□ (10.72 □□)	4.121 □□□□□□ (10.47 □□)	4.69 □□□□□□ (11.91 □□)	4.25 □□□□□□ (10.79 □□)
□□□□□□	1.39 □□□□□□ (3.53 □□)	1.439 □□□□□□ (3.66 □□)	1.375 □□□□□□ (3.49 □□)	2.0 □□□□□□ (5.08 □□)	1.75 □□□□□□ (4.445 □□)

5200411.tbl

Electrical Specifications:

Switch contact ratings: gold-plated; rating 0.25 A @ 30 VAC or VDC.

ENGINEERS' & ARCHITECTS' SPECIFICATIONS

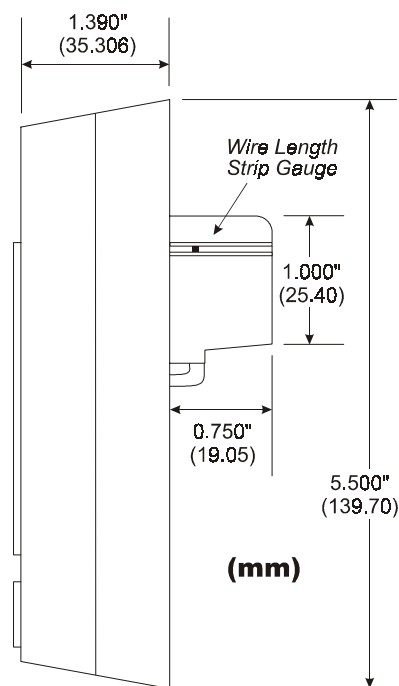
Manual Fire Alarm Stations shall be non-code, with a key- or hex-operated reset lock in order that they may be tested, and so designed that after actual Emergency Operation, they cannot be restored to normal except by use of a key or hex. An operated station shall automatically condition itself so as to be visually detected as activated. Manual stations shall be constructed of red colored LEXAN® (or polycarbonate equivalent) with clearly visible operating instructions provided on the cover. The word **FIRE** shall appear on the front of the stations in white letters, 1.00 inches (25.4 mm) or larger.* Stations shall be suitable for surface mounting on matching backbox SB-10; or semi-flush mounting on a standard single-gang, double-gang, or 4" (10.16 cm) square electrical box, and shall be installed within the limits defined by the Americans with Disabili-

ties Act (ADA) or per national/local requirements. Manual Stations shall be Underwriters Laboratories listed.

***NOTE:** The words "FIRE/FUEGO" on the BG-12LSP shall appear on the front of the station in white letters, approximately 3/4" high.

PRODUCT LINE INFORMATION

Model	Description
BG-12S	Single-action pull station with pigtail connections, hex lock.
BG-12SL	Same as BG-12S with key lock.
BG-12	Dual-action pull station with SPST N/O switch, screw terminal connections, hex lock.
BG-12L	Same as BG-12 with key lock.
BG-12LSP	Same as BG-12L with English/Spanish (FIRE/FUEGO) labeling.
BG-12LOB	Same as BG-12L with "outdoor use" listing. Includes outdoor listed backbox, and sealing gasket.
BG-12LO	Same as BG-12L with "outdoor use" listing. Does not include backbox.
BG-12LA	Same as BG-12L with auxiliary contacts.
BG-12LPS	Same as BG-12L with presignal feature.
BG-12LPSP	Same as BG-12LPS with English/Spanish (FIRE/FUEGO) labeling.
SB-I/O	Indoor/outdoor backbox.
SB-10	Indoor use backbox.
WP-10	Outdoor use backbox.
WBB	Outdoor use backbox.
17003	Key lock.
17007	Hex lock.



6643dim2.wmf